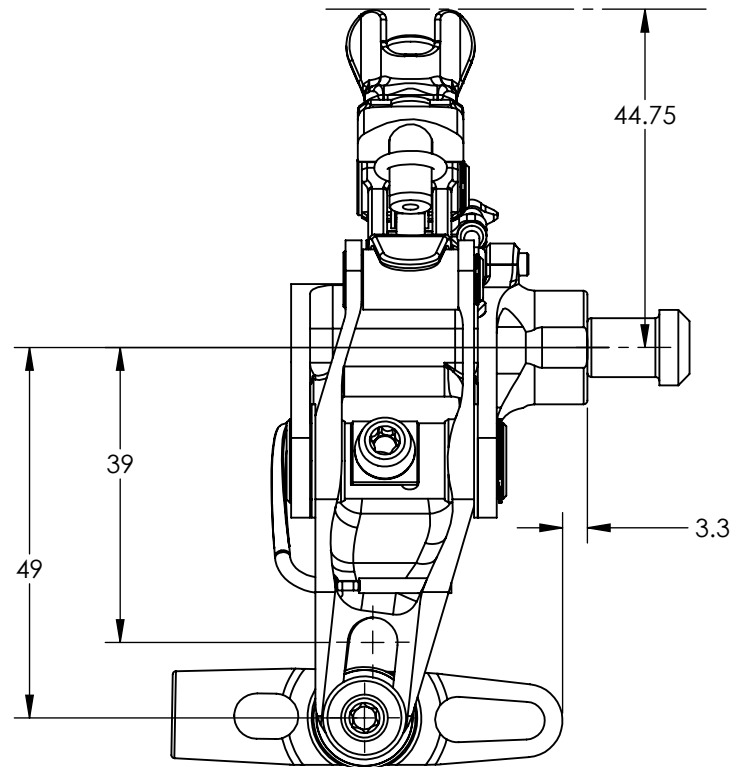
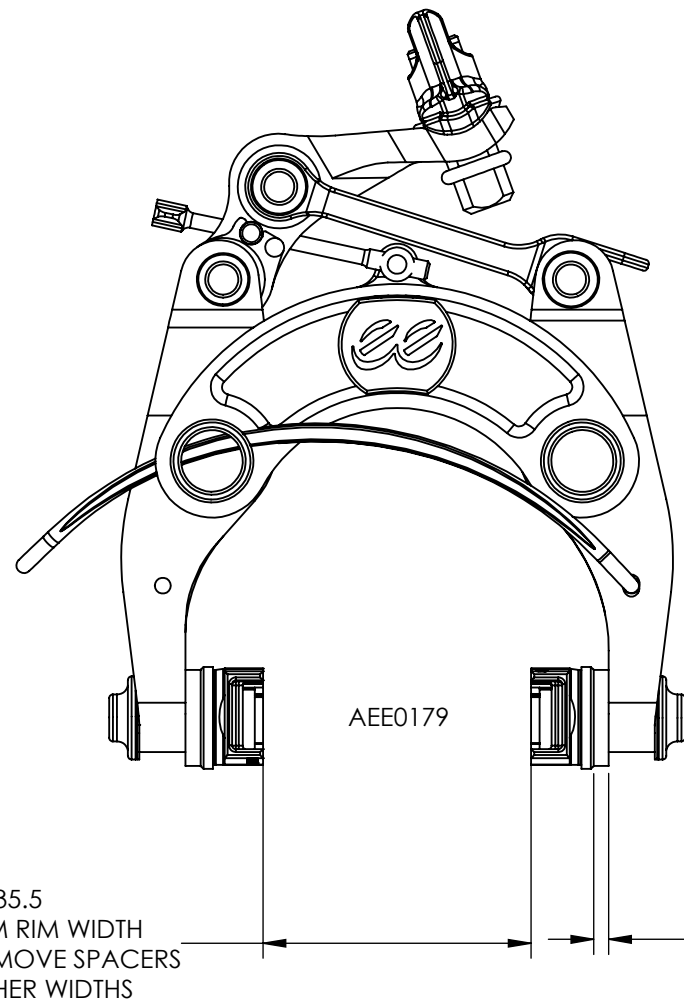
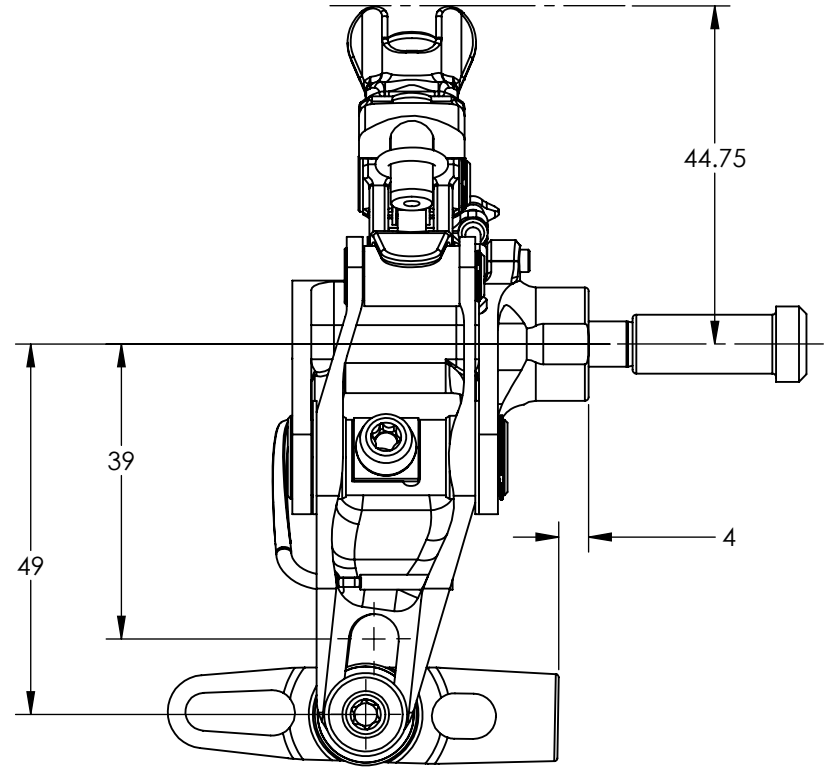
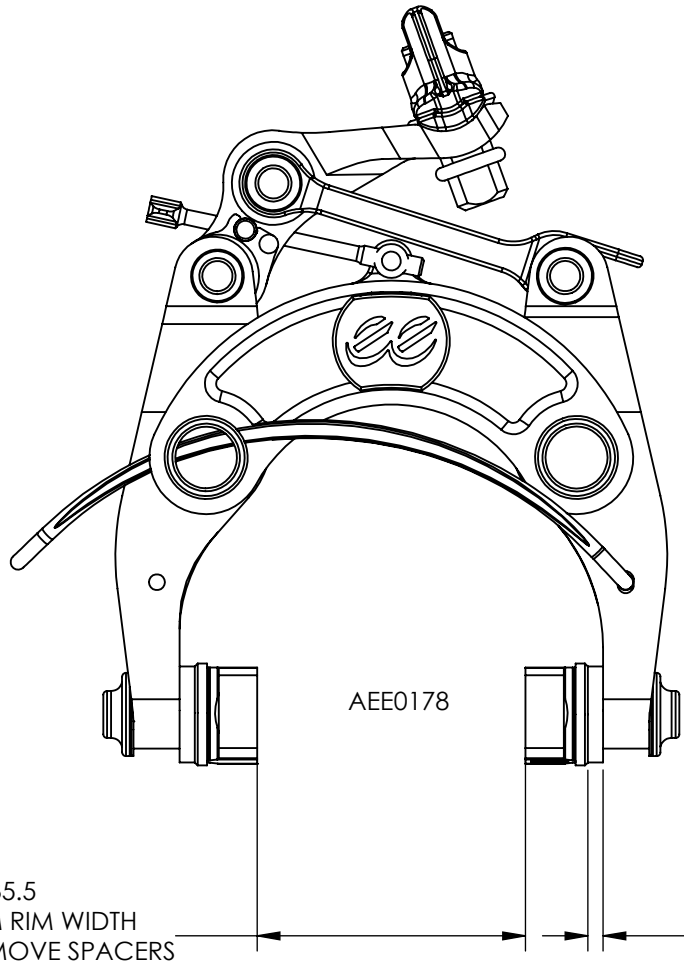
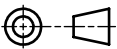



eeBrake Regular Mount User-Spec Drawing

REV.	DESCRIPTION	ENGR	DATE
1	First Release	JGM	9/5/2019



mm Dimensions Tolerances: .X ± 0.3 .XX ± 0.10 .XXX ± 0.05 Angular: ± 0.50 Concentricity: 0.10 Third Angle Projection 	This drawing and all information therein is the property of Cane Creek Cycling Components and is confidential and must not be made public or copied. It is loaned subject to return upon demand and is not to be used in any way that is detrimental to our interests.		
		TITLE: eeBrake CC Gen Regular Mount	
Weight:	SIZE B	Part No. see note	REV. 01
Material:	Color: See suffix	SCALE: 1:1	SHEET 1 OF 1