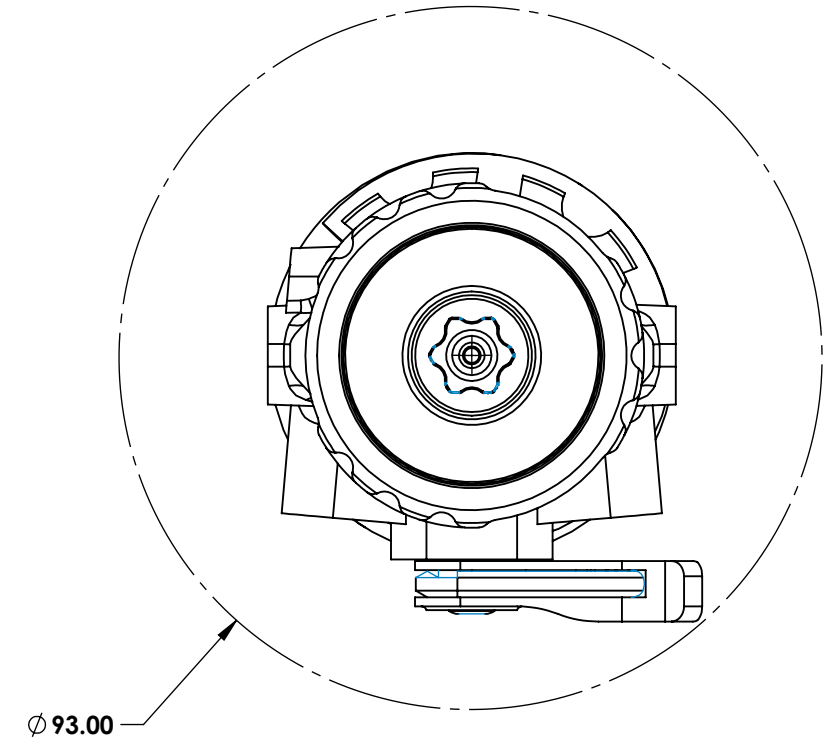
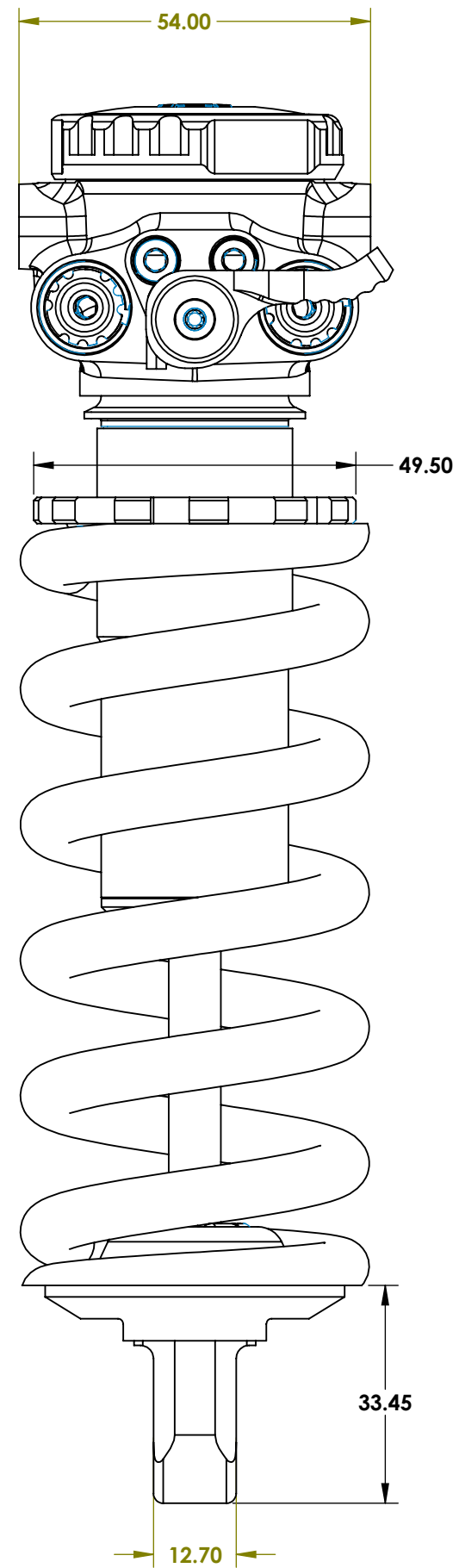
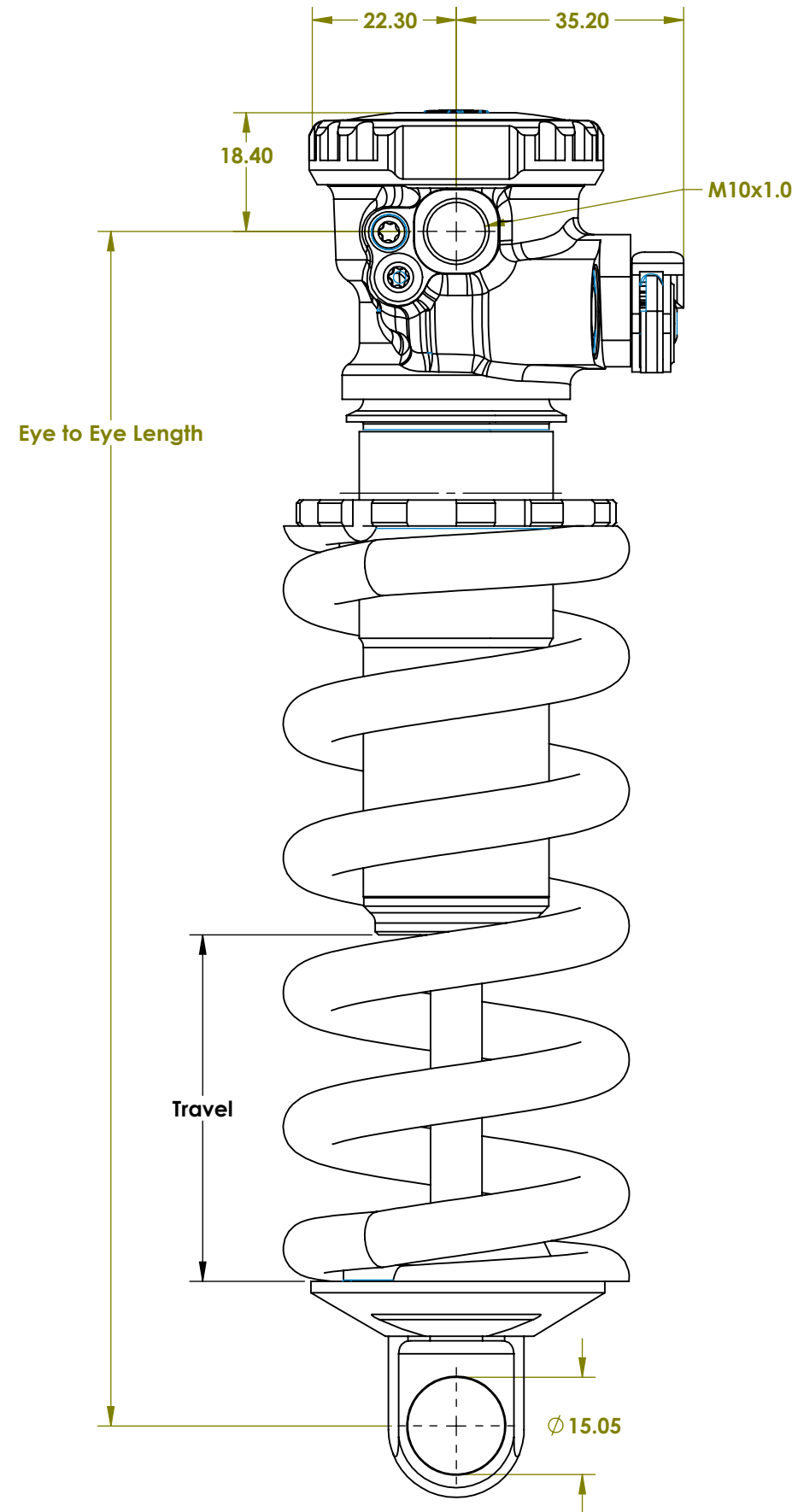


mm Dimensions Tolerances: .X ± 0.3 .XX ± 0.10 .XXX ± 0.05  Angular: ± 0.5 Concentricity: 0.10  Third Angle Projection		This drawing and all information therein is the property of Cane Creek Cycling Components and is confidential and must not be made public or copied. It is loaned subject to return upon demand and is not to be used in any way that is detrimental to our interests.			
Material: Weight: Finish:		TITLE:  <b>DB Coil II Dimensions</b>		SIZE <b>B</b>	Part No. REV.
		Color:	SCALE: 1:1	SHEET 1 OF 1	



**Notes:**

- 1.) Refer to Owner's manual for Eye-to-Eye length and travel.
- 3.) Coil spring outer diameter varies by spring weight.
- 4.) Available travel may not use full tube length. Varies by shock configuration.

<p>mm Dimensions</p> <p>Tolerances:          .X ± 0.3          .XX ± 0.10          .XXX ± 0.05</p> <p>Angular: ± 0.5          Concentricity:          0.10</p> <p>Third Angle Projection</p>	<p>This drawing and all information therein is the property of Cane Creek Cycling Components and is confidential and must not be made public or copied. It is loaned subject to return upon demand and is not to be used in any way that is detrimental to our interests.</p>	
<p>Material:</p> <p>Weight:</p> <p>Finish:</p>	<p>SIZE <b>B</b></p> <p>Part No.</p>	<p>TITLE:  <b>DBCcoil-IL Trunnion Dimensions</b></p>
<p>Color:</p>	<p>SCALE: 1:2</p>	<p>REV. <b>01</b></p> <p>SHEET 1 OF 1</p>