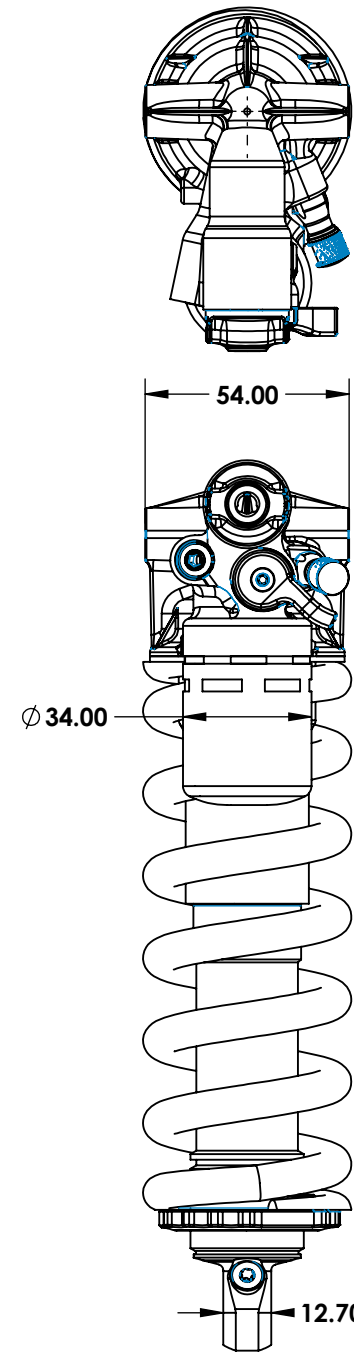
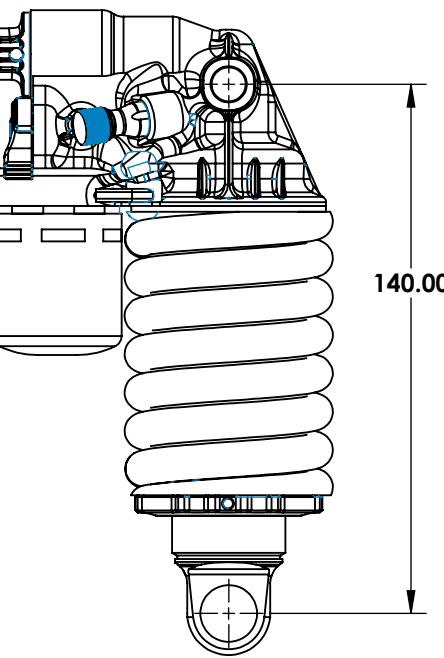
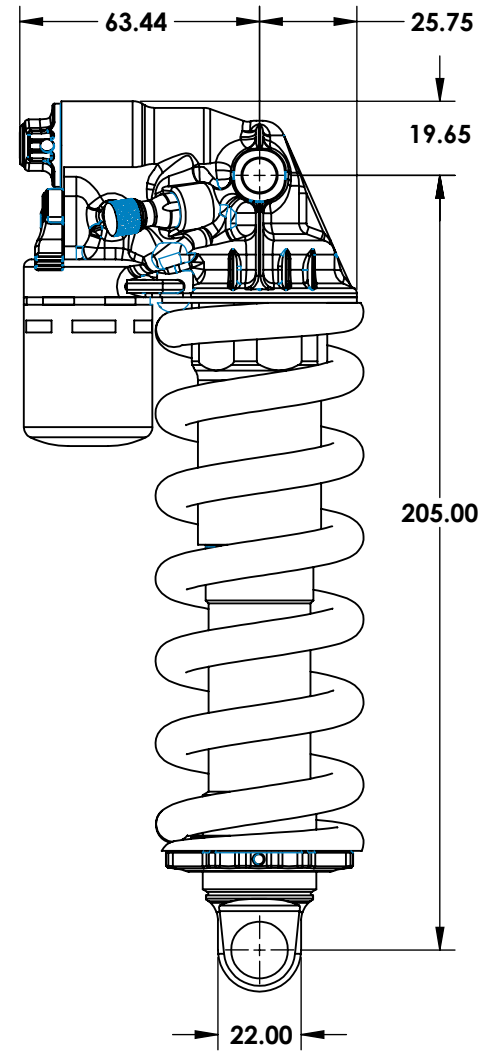


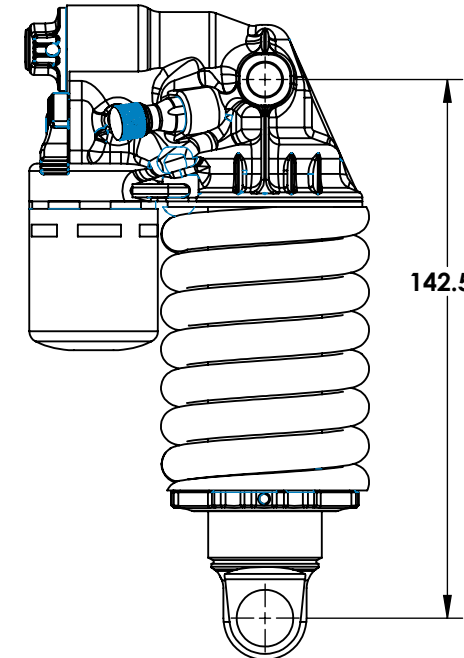
REV.	DESCRIPTION	ENGR	DATE
1	First Release	RRB	11/15/2022



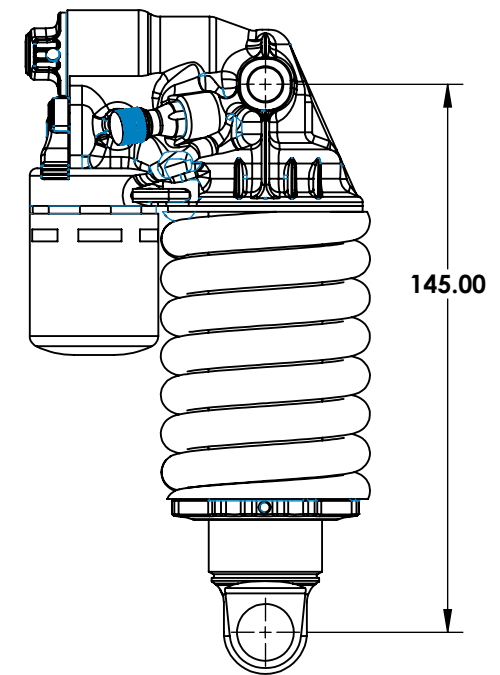
205mm Eye to Eye
Fully Extended



205x65 Fully Compressed



205x62.5 Fully Compressed



205x60 Fully Compressed

NOTES: UNLESS OTHERWISE SPECIFIED

1. CANE CREEK RESERVES THE RIGHT TO CHANGE SPECIFICATIONS WITHOUT PRIOR NOTICE. DRAWING NOT TO SCALE
2. MINIMUM RECOMMENDED FRAME CLEARANCE: 2.5MM. CUSTOMER IS RESPONSIBLE FOR ENSURING CLEARANCE
3. Coil Spring OD ranges from 51mm-57mm dependant on spring weight.
4. 30 PSI maximum pressure in Ramp Tube.

mm Dimensions Tolerances: .X ± 0.3 .XX ± 0.10 .XXX ± 0.05 Angular: ± 0.5 Concentricity: 0.10 Third Angle Projection 	This drawing and all information therein is the property of Cane Creek Cycling Components and is confidential and must not be made public or copied. It is loaned subject to return upon demand and is not to be used in any way that is detrimental to our interests.		
Material: Weight: Finish:	SIZE B	Part No. 205mm Trunion	REV. 01
Color:		SCALE: 1:2	SHEET 1 OF 1