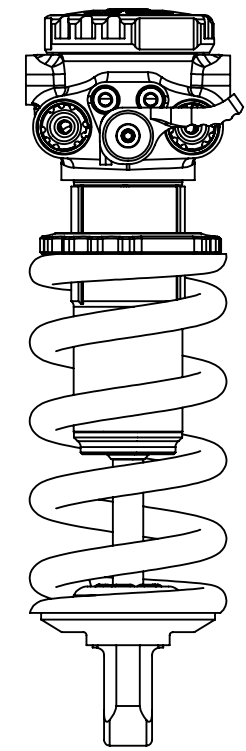
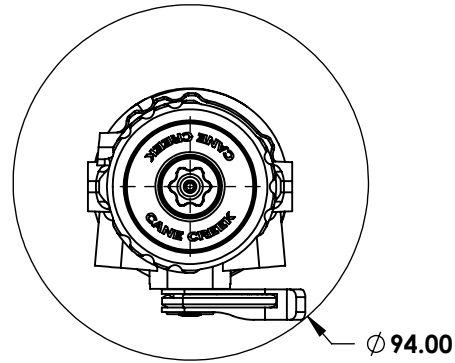
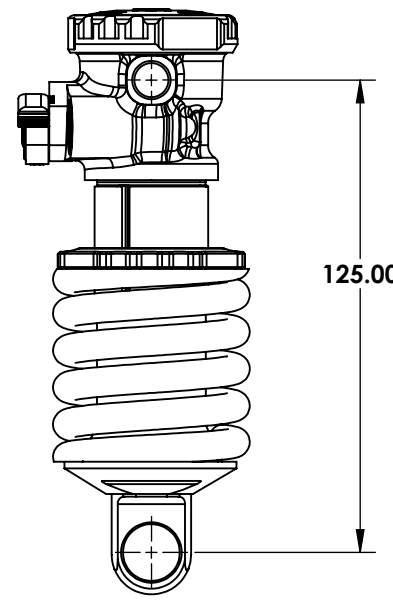
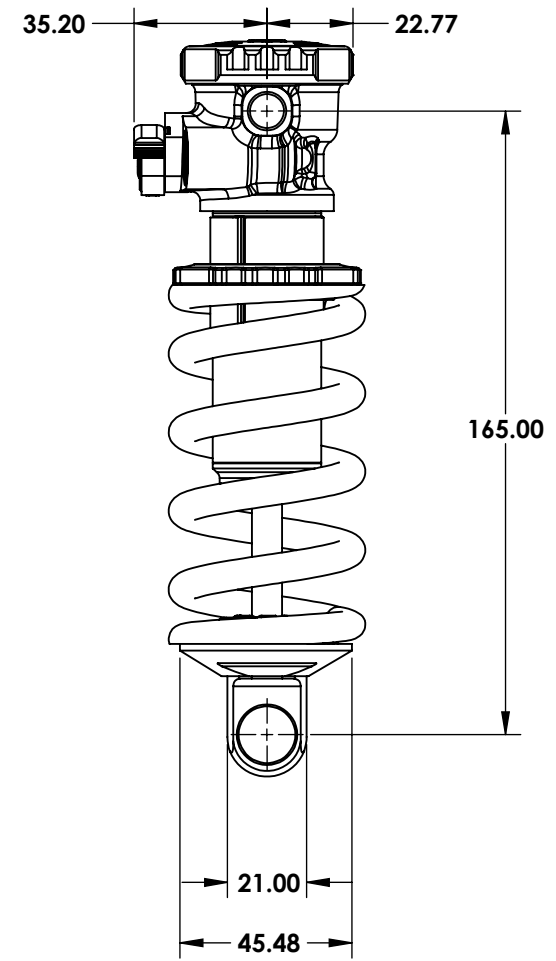


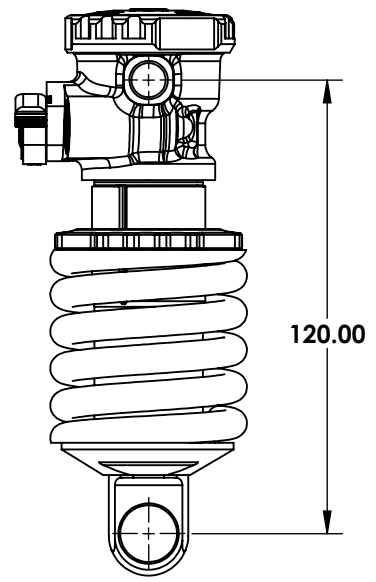
REV.	DESCRIPTION	ENGR	DATE
1	First Release	JWL	3/1/2023



**165 Trunnion  
Fully Extended**



**165x40 Fully Compressed**



**165x45 Fully Compressed**

**NOTES: UNLESS OTHERWISE SPECIFIED**

1. CANE CREEK RESERVES THE RIGHT TO CHANGE SPECIFICATIONS WITHOUT PRIOR NOTICE. DRAWING NOT TO SCALE
2. MINIMUM RECOMMENDED FRAME CLEARANCE: 2.5MM. CUSTOMER IS RESPONSIBLE FOR ENSURING CLEARANCE
3. Coil Spring OD ranges from 51mm-57mm dependant on spring weight.

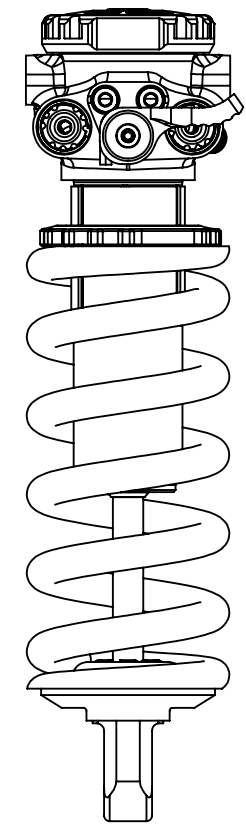
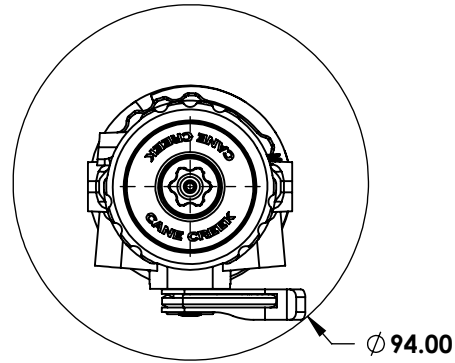
mm Dimensions  
Tolerances:  
.X ± 0.3  
.XX ± 0.10  
.XXX ± 0.05  
Angular: ± 0.5  
Concentricity:  
0.10  
Third Angle Projection

This drawing and all information therein is the property of Cane Creek Cycling Components and is confidential and must not be made public or copied. It is loaned subject to return upon demand and is not to be used in any way that is detrimental to our interests.

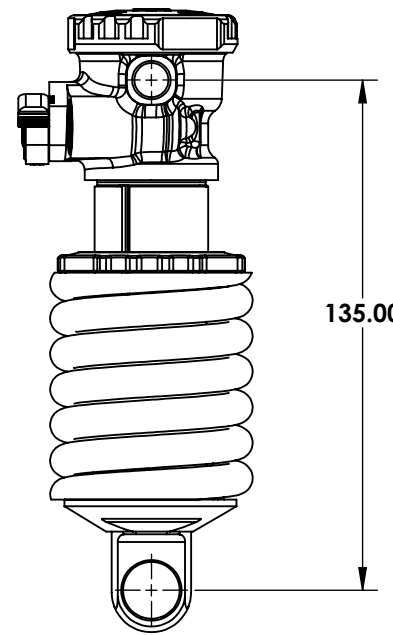
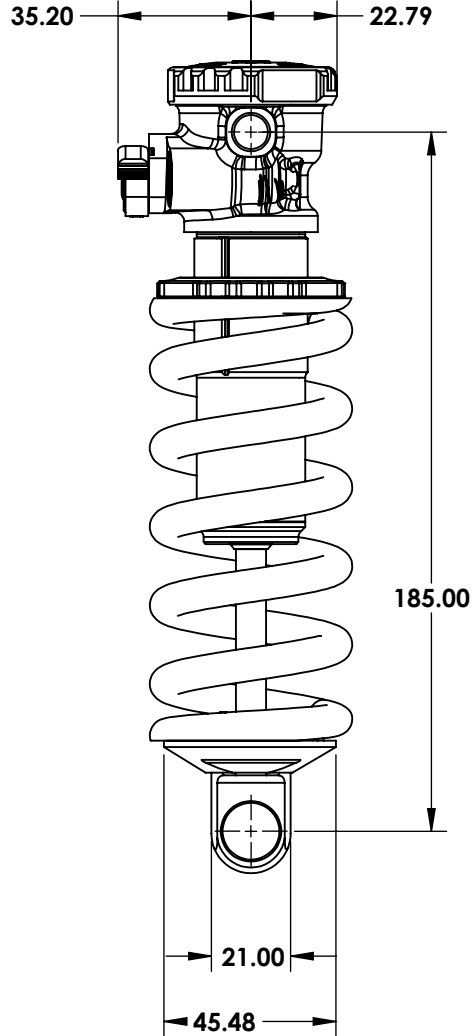


TITLE: <b>DBCcoil-IL G2 User Spec Drawing</b>		SIZE <b>B</b>	Part No. <b>165mm Trunnion</b>	REV. <b>01</b>
Material:	Color:	SCALE: 1:2	SHEET 1 OF 1	

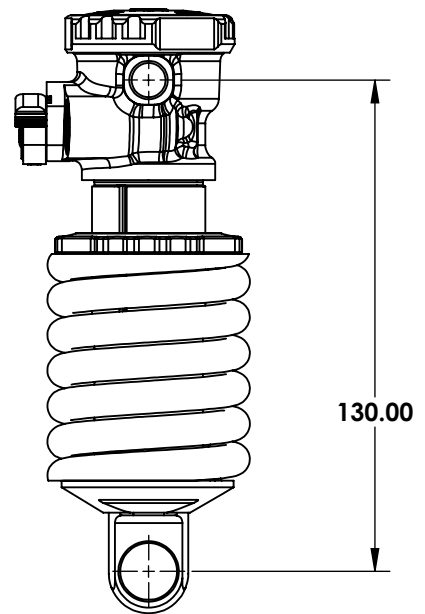
REV.	DESCRIPTION	ENGR	DATE
1	First Release	JWL	3/1/2023



**185 Trunnion Fully Extended**




**185x50 Fully Compressed**



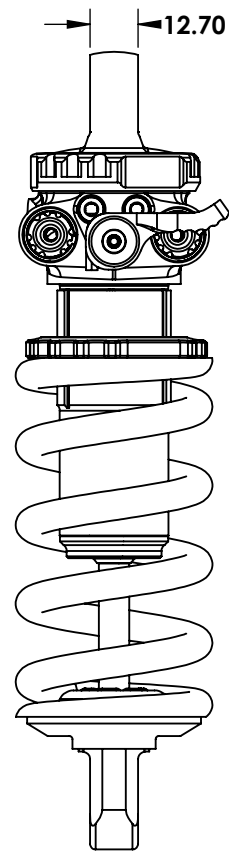
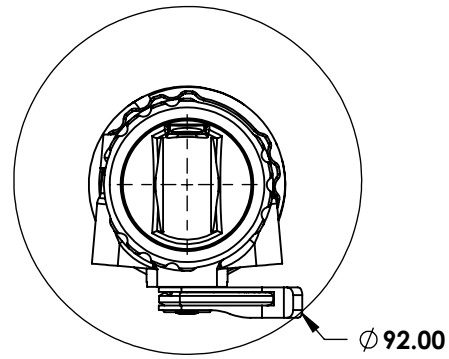
**185x55 Fully Compressed**

**NOTES: UNLESS OTHERWISE SPECIFIED**

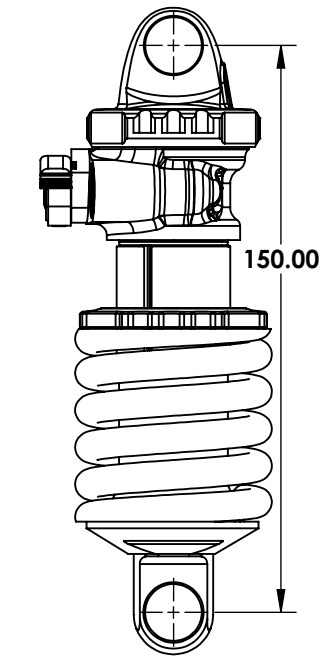
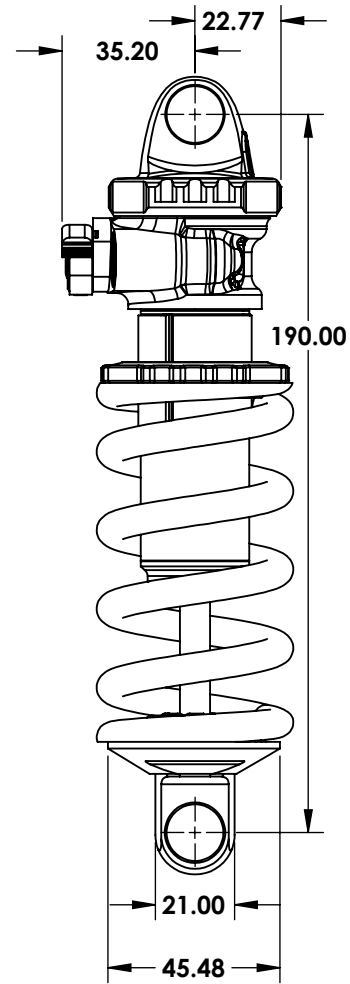
1. CANE CREEK RESERVES THE RIGHT TO CHANGE SPECIFICATIONS WITHOUT PRIOR NOTICE. DRAWING NOT TO SCALE
2. MINIMUM RECOMMENDED FRAME CLEARANCE: 2.5MM. CUSTOMER IS RESPONSIBLE FOR ENSURING CLEARANCE
3. Coil Spring OD ranges from 51mm-57mm dependant on spring weight.

<b>mm Dimensions</b> Tolerances: .X ± 0.3 .XX ± 0.10 .XXX ± 0.05  Angular: ± 0.5 Concentricity: 0.10  Third Angle Projection	This drawing and all information therein is the property of Cane Creek Cycling Components and is confidential and must not be made public or copied. It is loaned subject to return upon demand and is not to be used in any way that is detrimental to our interests.	 <b>TITLE:</b> <b>DBCcoil-IL G2</b> <b>User Spec Drawing</b>		
				<b>Material:</b> <b>Weight:</b> <b>Finish:</b>
		<b>Color:</b>	<b>SCALE:</b> 1:2	<b>SHEET</b> 1 OF 1

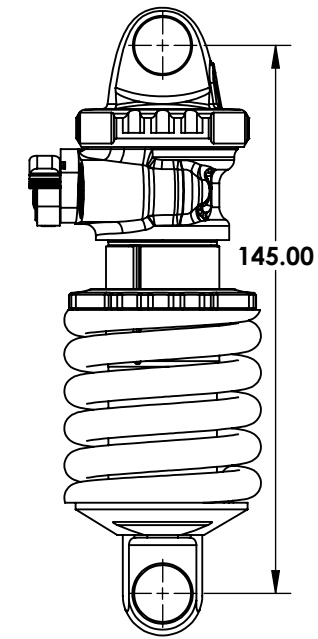
REV.	DESCRIPTION	ENGR	DATE
1	First Release	RRB	8/16/2022



190mm Eye to Eye  
Fully Extended



190x40 Fully Compressed



190x45 Fully Compressed

**NOTES: UNLESS OTHERWISE SPECIFIED**

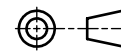
1. CANE CREEK RESERVES THE RIGHT TO CHANGE SPECIFICATIONS WITHOUT PRIOR NOTICE. DRAWING NOT TO SCALE
2. MINIMUM RECOMMENDED FRAME CLEARANCE: 2.5MM. CUSTOMER IS RESPONSIBLE FOR ENSURING CLEARANCE
3. Coil Spring OD ranges from 51mm-57mm dependant on spring weight.

mm Dimensions

Tolerances:  
 .X ± 0.3  
 .XX ± 0.10  
 .XXX ± 0.05

Angular: ± 0.5  
 Concentricity:  
 0.10

Third Angle Projection



Material:

Weight:

Finish:

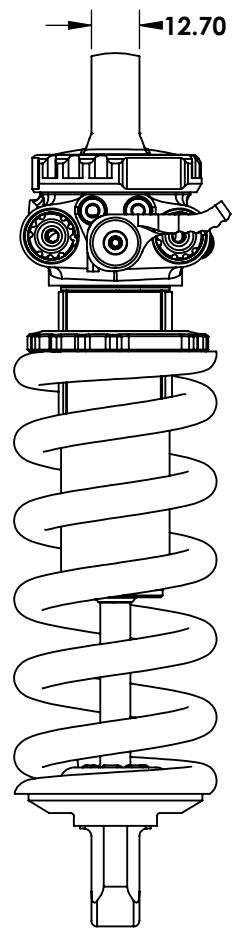
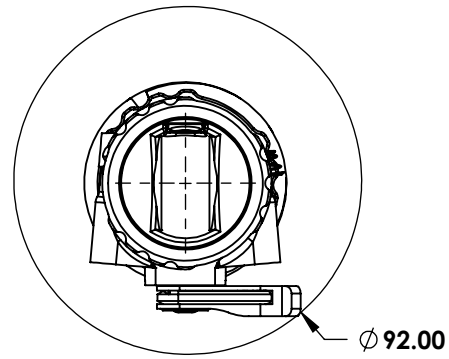
This drawing and all information therein is the property of Cane Creek Cycling Components and is confidential and must not be made public or copied. It is loaned subject to return upon demand and is not to be used in any way that is detrimental to our interests.



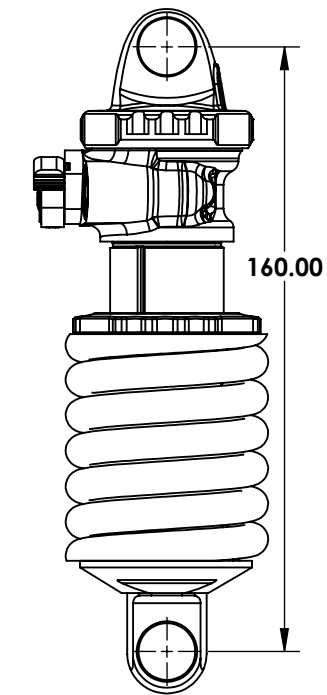
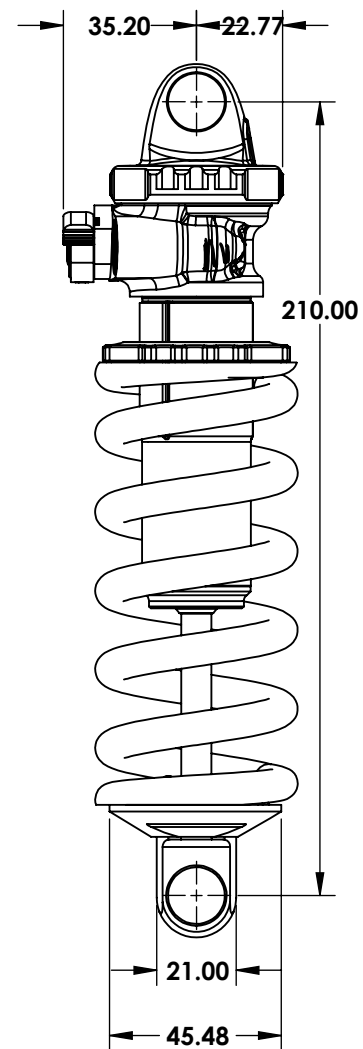
TITLE:  
**DBCoil-IL G2  
 User Spec Drawing**

Material:	SIZE <b>B</b>	Part No. <b>190mm Eye to Eye</b>	REV. <b>01</b>
Weight:	Color:	SCALE: 1:2	SHEET 1 OF 1

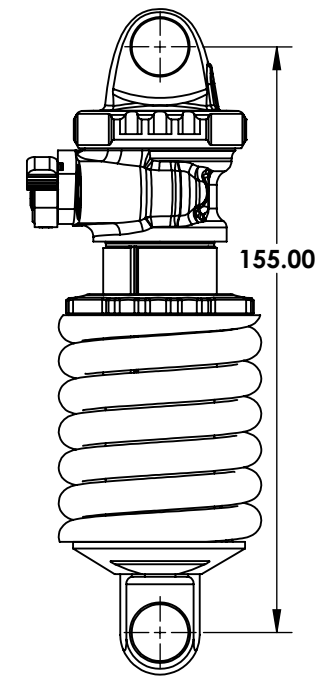
REV.	DESCRIPTION	ENGR	DATE
1	First Release	RRB	8/16/2022



**210mm Eye to Eye  
Fully Extended**



**210x50 Fully Compressed**



**210x55 Fully Compressed**

**NOTES: UNLESS OTHERWISE SPECIFIED**

1. CANE CREEK RESERVES THE RIGHT TO CHANGE SPECIFICATIONS WITHOUT PRIOR NOTICE. DRAWING NOT TO SCALE
2. MINIMUM RECOMMENDED FRAME CLEARANCE: 2.5MM. CUSTOMER IS RESPONSIBLE FOR ENSURING CLEARANCE
3. Coil Spring OD ranges from 51mm-57mm dependant on spring weight.

<b>mm Dimensions</b> Tolerances: .X ± 0.3 .XX ± 0.10 .XXX ± 0.05  Angular: ± 0.5 Concentricity: 0.10  Third Angle Projection	This drawing and all information therein is the property of Cane Creek Cycling Components and is confidential and must not be made public or copied. It is loaned subject to return upon demand and is not to be used in any way that is detrimental to our interests.		
		<b>DBCoil-IL G2 User Spec Drawing</b>	
<b>Material:</b> <b>Weight:</b> <b>Finish:</b>	<b>SIZE</b> <b>B</b>	<b>Part No.</b> <b>210mm Eye to Eye</b>	<b>REV.</b> <b>01</b>
<b>Color:</b>		<b>SCALE: 1:2</b>	<b>SHEET 1 OF 1</b>