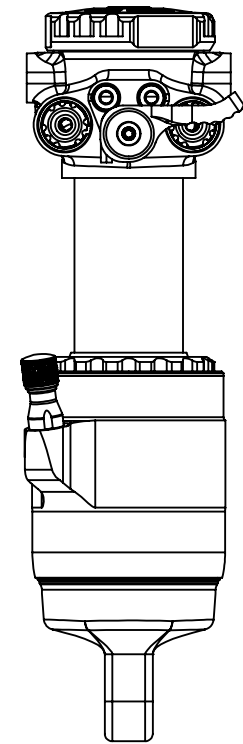
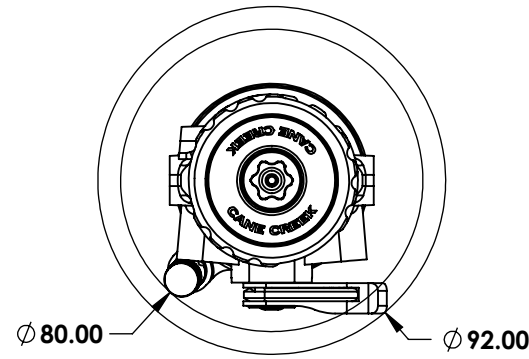
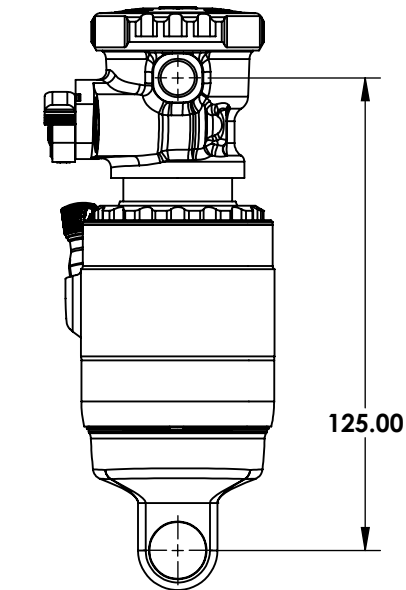
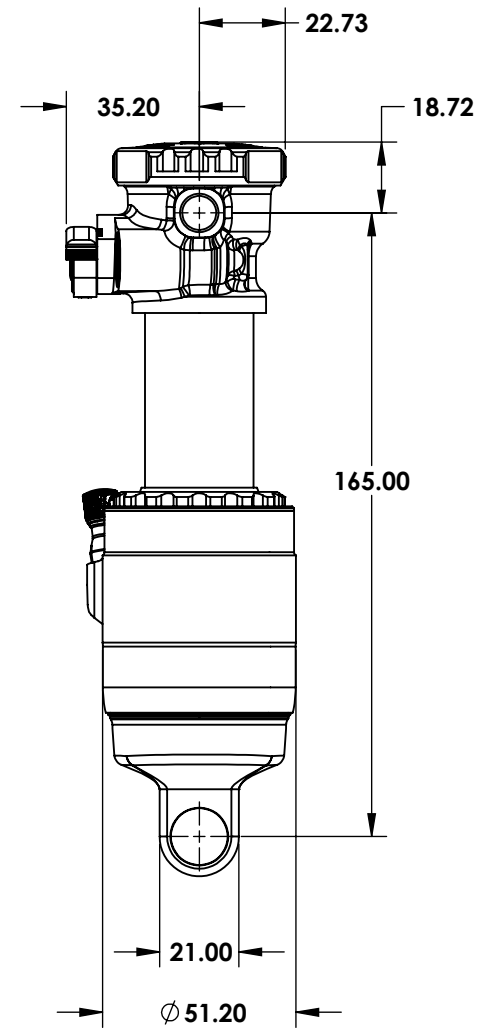


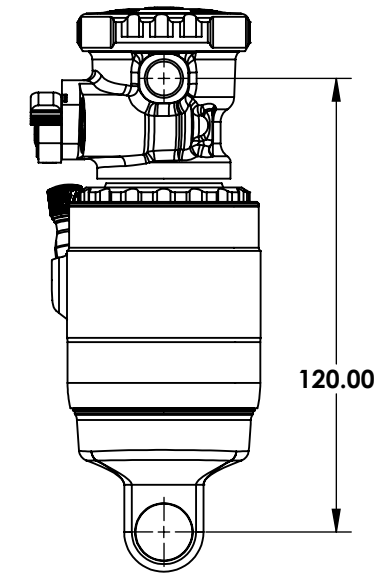
REV.	DESCRIPTION	ENGR	DATE
1	First Release	JWL	3/1/2023



**185mm Trunnion
Fully Extended**



165x40 Fully Compressed



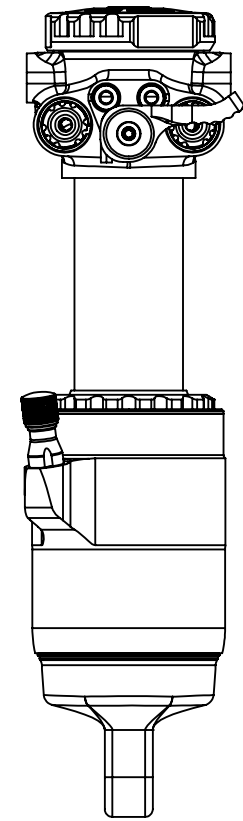
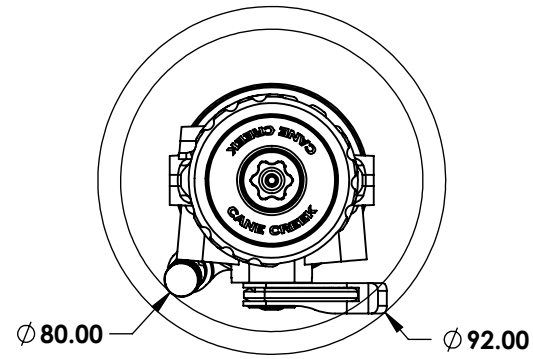
165x45 Fully Compressed

NOTES: UNLESS OTHERWISE SPECIFIED

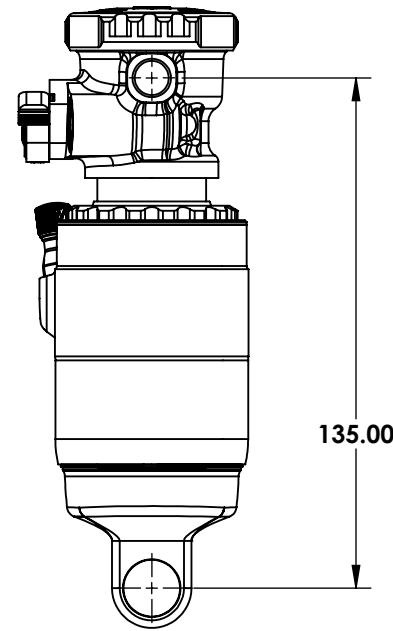
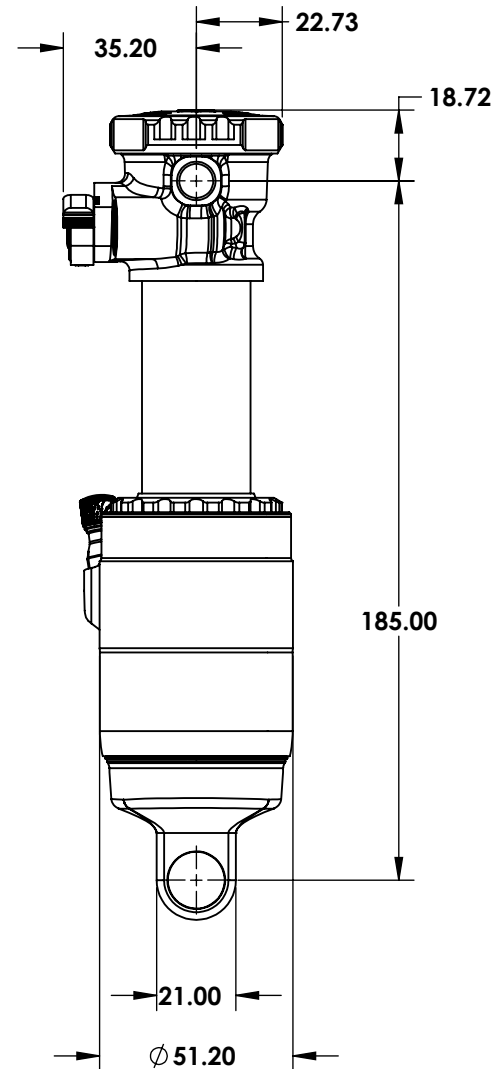
1. CANE CREEK RESERVES THE RIGHT TO CHANGE SPECIFICATIONS WITHOUT PRIOR NOTICE. DRAWING NOT TO SCALE
2. MINIMUM RECOMMENDED FRAME CLEARANCE: 2.5MM. CUSTOMER IS RESPONSIBLE FOR ENSURING CLEARANCE

mm Dimensions Tolerances: .X ± 0.3 .XX ± 0.10 .XXX ± 0.05 Angular: ± 0.5 Concentricity: 0.10 Third Angle Projection 	This drawing and all information therein is the property of Cane Creek Cycling Components and is confidential and must not be made public or copied. It is loaned subject to return upon demand and is not to be used in any way that is detrimental to our interests.		
		TITLE: DBAir-IL G2 User Spec Drawing	
Material: Weight: Finish:	SIZE B	Part No. 165mm Trunnion	REV. 01
Color:		SCALE: 1:2	SHEET 1 OF 1

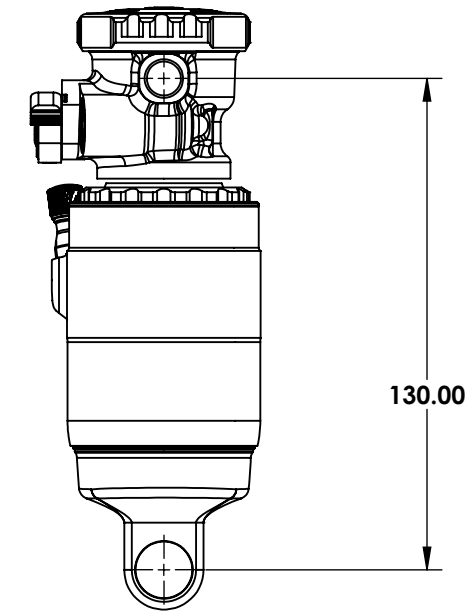
REV.	DESCRIPTION	ENGR	DATE
1	First Release	JWL	3/1/2023



**185mm Trunnion
Fully Extended**




185x50 Fully Compressed



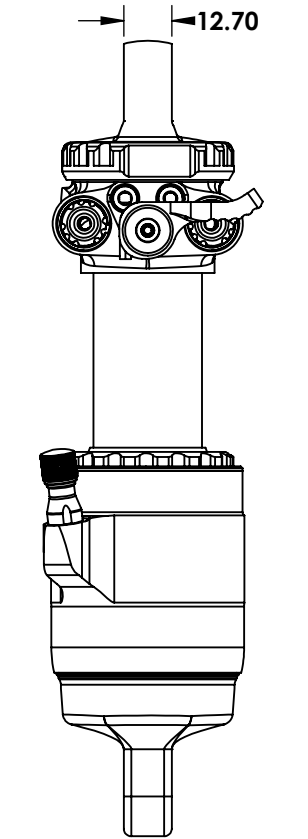
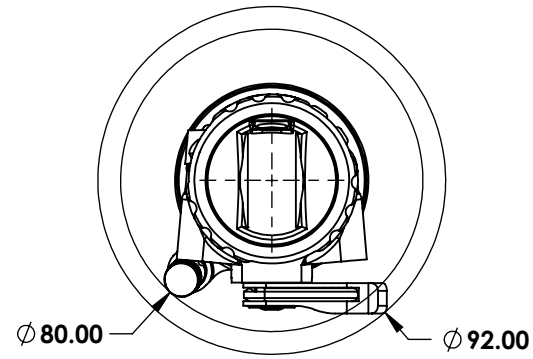
185x55 Fully Compressed

NOTES: UNLESS OTHERWISE SPECIFIED

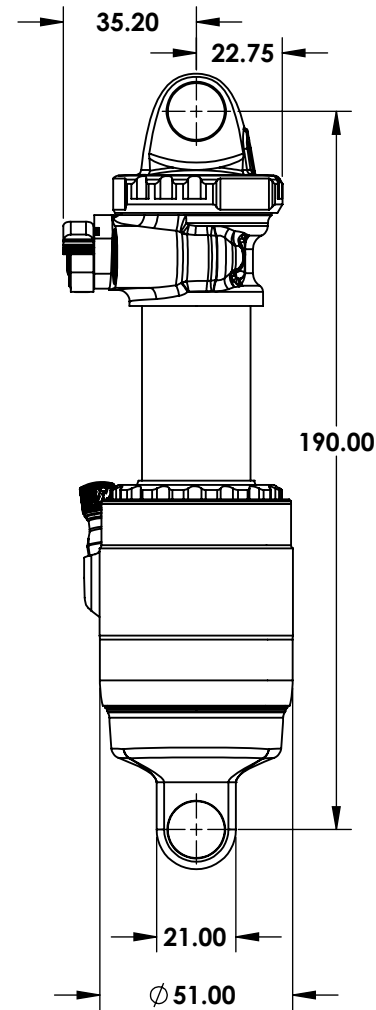
1. CANE CREEK RESERVES THE RIGHT TO CHANGE SPECIFICATIONS WITHOUT PRIOR NOTICE. DRAWING NOT TO SCALE
2. MINIMUM RECOMMENDED FRAME CLEARANCE: 2.5MM. CUSTOMER IS RESPONSIBLE FOR ENSURING CLEARANCE

mm Dimensions Tolerances: .X ± 0.3 .XX ± 0.10 .XXX ± 0.05 Angular: ± 0.5 Concentricity: 0.10 Third Angle Projection	This drawing and all information therein is the property of Cane Creek Cycling Components and is confidential and must not be made public or copied. It is loaned subject to return upon demand and is not to be used in any way that is detrimental to our interests.	 CANE CREEK	
		DBAir-IL G2 User Spec Drawing	
Material: Weight: Finish:	SIZE B	Part No. 185mm Trunnion	REV. 01
Color:		SCALE: 1:2	SHEET 1 OF 1

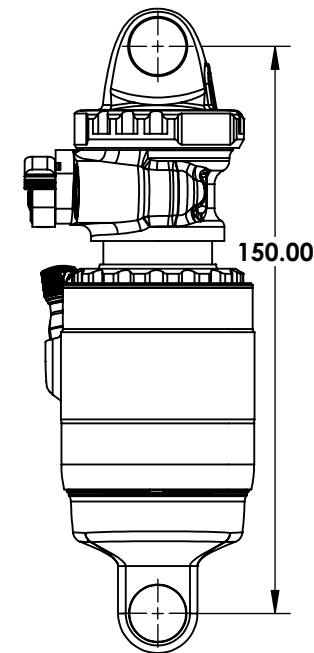
REV.	DESCRIPTION	ENGR	DATE
1	First Release	RRB	8/16/2022



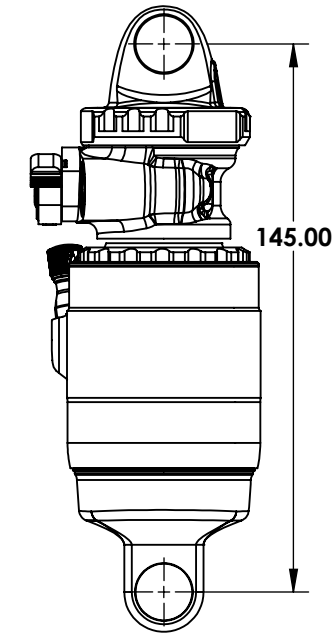
190mm Eye to Eye Fully Extended



190x40 Fully Compressed



190x45 Fully Compressed

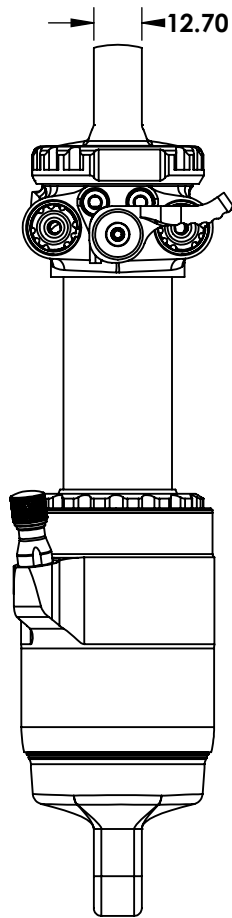
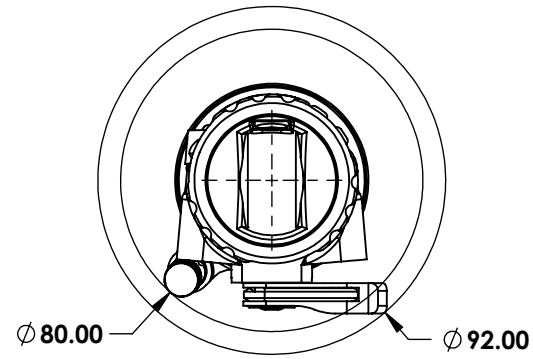


NOTES: UNLESS OTHERWISE SPECIFIED

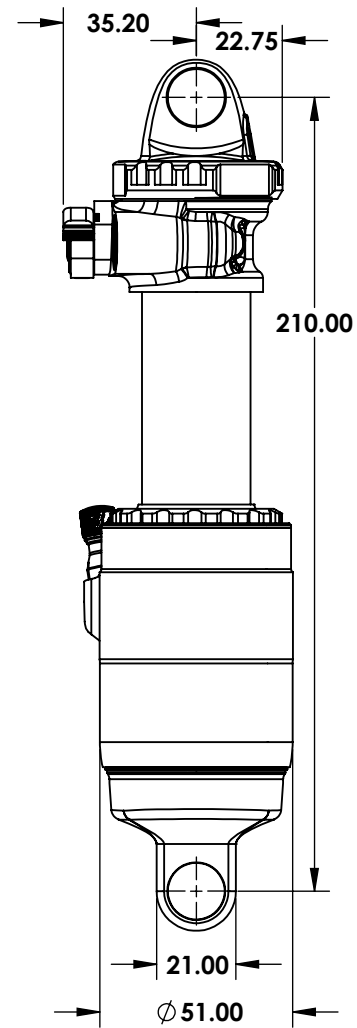
1. CANE CREEK RESERVES THE RIGHT TO CHANGE SPECIFICATIONS WITHOUT PRIOR NOTICE. DRAWING NOT TO SCALE
2. MINIMUM RECOMMENDED FRAME CLEARANCE: 2.5MM. CUSTOMER IS RESPONSIBLE FOR ENSURING CLEARANCE

mm Dimensions Tolerances: .X ± 0.3 .XX ± 0.10 .XXX ± 0.05 Angular: ± 0.5 Concentricity: 0.10 Third Angle Projection	This drawing and all information therein is the property of Cane Creek Cycling Components and is confidential and must not be made public or copied. It is loaned subject to return upon demand and is not to be used in any way that is detrimental to our interests.		
		DBAir-IL G2 User Spec Drawing	
Material: Weight: Finish:	SIZE B	Part No. 190mm Eye to Eye	REV. 01
Color:		SCALE: 1:2	SHEET 1 OF 1

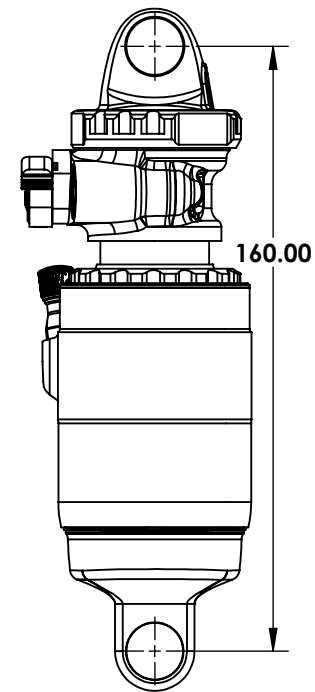
REV.	DESCRIPTION	ENGR	DATE
1	First Release	RRB	8/16/2022



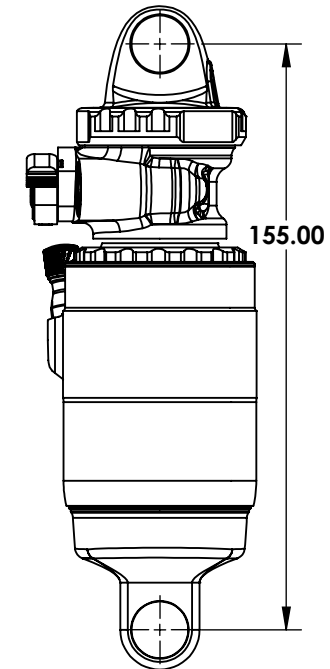
210mm Eye to Eye
Fully Extended



210x50 Fully Compressed




210x55 Fully Compressed



NOTES: UNLESS OTHERWISE SPECIFIED

1. CANE CREEK RESERVES THE RIGHT TO CHANGE SPECIFICATIONS WITHOUT PRIOR NOTICE. DRAWING NOT TO SCALE
2. MINIMUM RECOMMENDED FRAME CLEARANCE: 2.5MM. CUSTOMER IS RESPONSIBLE FOR ENSURING CLEARANCE

mm Dimensions Tolerances: .X ± 0.3 .XX ± 0.10 .XXX ± 0.05 Angular: ± 0.5 Concentricity: 0.10 Third Angle Projection	This drawing and all information therein is the property of Cane Creek Cycling Components and is confidential and must not be made public or copied. It is loaned subject to return upon demand and is not to be used in any way that is detrimental to our interests.	 CANE CREEK	
		DBAir-IL G2 User Spec Drawing	
Material: Weight: Finish:	SIZE B	Part No. 210mm Eye to Eye	REV. 01
Color:		SCALE: 1:2	SHEET 1 OF 1