



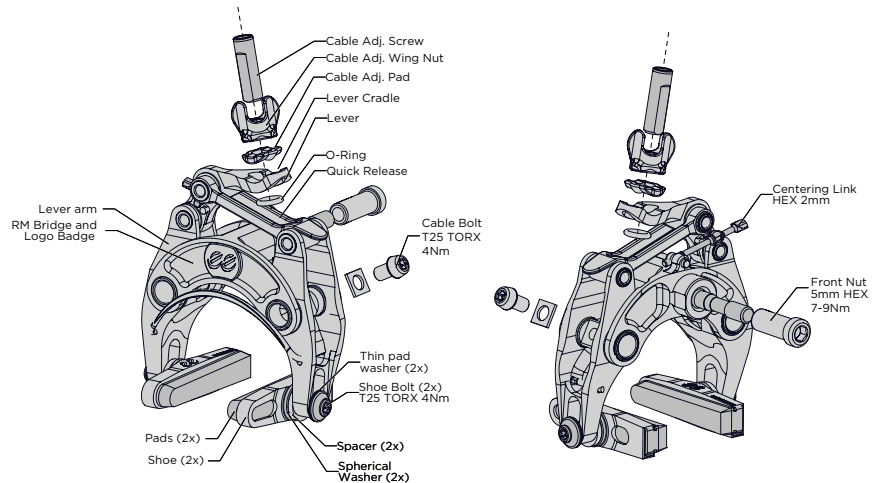
canecreek.com
products@canecreek.com

355 Cane Creek Rd, Fletcher NC USA 28732
800-234-2725

eeBrake Regular Mount Instructions:

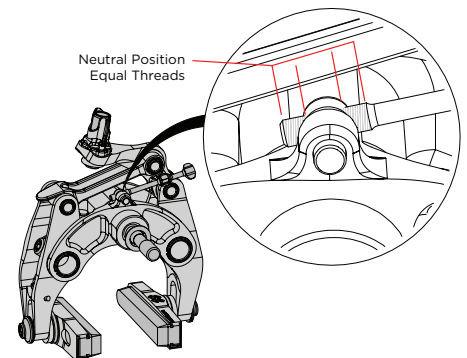
Safety Information -

- **Warning:** Improper use of your bike's brakes may result in loss of control and an accident, resulting in serious injury. Learn to control and use your brakes safely by practicing riding and braking techniques in a safe place. Read and follow these instructions. Keep these instructions for later use.
- Tighten brake nuts and bolts to the specified tightening torque. Over-tightening bolts may result in brake failure.
- Use grease as specified to protect parts against galling, wear and corrosion.
- Plastic bushings are designed to be used dry. Light oil lubricant is optional to facilitate smooth movement and is suggested when riding in wet conditions.
- Brake mounting bolts and nuts must be long enough to provide at least 5 full turns of engagement when mounting the brakes to the bike. Insufficient bolt engagement may result in brake failure, an accident and serious injury.
- Always check your brakes to make sure the quick release is closed before riding your bike.
- Routinely check your brakes ensuring they are in good working condition, checking the bolts for tightness and the cables for rust and fraying.
- Replace cables immediately if problems are found. Never ride your bike with loose, worn or damaged brakes including the pads. This may result in an accident and serious injury.
- Do not allow oil or grease to contaminate the brake pads as this may result in an accident and serious injury.
- Use caution when riding in wet weather as tire traction is reduced and stopping distances are increased in these conditions. Ride at reduced speeds, apply the brakes gently and allow greater distances to stop.



1) Installation: Mounting the eebrake to the fork/frame.

1. Install the brake with the thin steel washer on the frame/fork after applying grease to the bolt threads.
2. With a 5mm hex key install the mounting nut on the mounting bolt. Make sure the nut has at least 5 turns of engagement on the bolt.
3. Approximately center the brake on the wheel with the centering link in the neutral position and tighten the nut to 7 - 9 Nm. (The centering link in the neutral position means the threads are equally exposed on either side of the centering link nut swivel, see figure to the right) The centering link is used for fine pad centering over a small range. Approximate centering is done in this step by rotating the brake on its main bolt.



2) Cable housing and Cable Installation

Measure and cut the cable and housing to the correct length. When using "Low friction coated cables: Scratch low friction coating off cable surface where it contacts with the brakes prior to attachment.

Cable housing length keys: The housing must be long enough to allow for free movement as the brake is operated (As the eebrake is operated, the cable housing moves toward the brake). Too short of housing will pull against the brake when operated and/or may not allow the brake to fully open when released. The housing alignment / length is to allow the cable adjuster to naturally seat in the lever cradle. Improper alignment / length will 'rack' the cable adjuster in the lever. This hinders smooth brake operation.

Note: When replacing other brakes with eebrakes, the correct length varies. As a guide, the length is often 6-8mm longer than the existing housing. Insert the brake cable into the cable groove under square cable plate and bolt. While holding the brake arms / pads against the rim, tighten the cable bolt to 4Nm.

3) Brake Pad Centering on the Rim

Using the centering link, rotate it using the round head such that the pads are equal distant from the rim (use fingers or 2mm hex key). Alternate centering link adjustment and squeezing the brake lever to achieve the correct center adjustment. The centering adjustment REQUIRES the actuation of the brake lever to have an immediate visual affect on the centering of the brake.

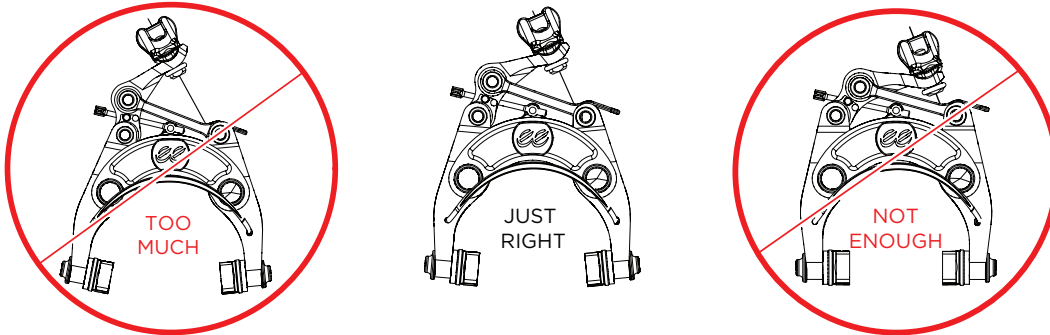
The centering link is used for fine pad centering over a small range. Rotate the entire brake for large center adjustments. See "Mounting" - step 1 for more info.

4) Rim Width Setup

- eBrakes can be optimized to work with Rims from 19mm-28mm wide.
- ebrakes come set up for 24mm +/- width (1 spacer on each side installed from Factory).
- Different rim widths are adjusted for through adding or removing spacer washers.
- Pad wear effects this setup. As pads wear, spacers may need to be added.
- *The spherical washer must be used in all setups.*
- Check that the spacer setup and fastened cable position allows full lever movement without the lever contacting the quick release. See figures for lever angle at resting position to allow for full movement.

General spacer setups.

19-22mm wide rims. Use 2 spacers on each side
23-25mm wide rims. Use 1 spacers on each side
26-28mm wide rims. Use 0 spacers on each side



5) Shoe Adjustment

The ebrake pad holder allows for “toe-in” and “Camber”. With the shoes slightly loose, set the pads to correctly contact the rim centering it on the brake track. This can be facilitated by squeezing the brake locking the pads in the correct position on the rim. Then fix the shoes to the arms by tightening the shoe bolts to 4Nm.

6) Pad Clearance Adjustment

The pad clearance is set by turning the cable adjust Wing nut. Detented Adjustments are made in 1/2 turns leaving the Wings always oriented front and back. Set pads to be 1.5mm to 2mm from the rim on each side. Lubricate the adjust pad where it contacts the adjust screw with thin grease or oil.

7) Quick Release

The “quick release” is operated by squeezing the pads against the rim with your hand and lifting up on the quick release lever with the other hand to open the brake. This allows the quick release arm to rotate away from the rim for wheel removal and replacement. The quick release is put back to “ride mode” by squeezing the pads against the rim and pushing the quick release back down to engage with the top of the left brake arm. Note when the quick release is opened, the brake is not functional. Take care the operation of the quick release to make sure it is in the ‘ride mode’ before riding.

Pad Installation

USE SHIMANO STYLE PADS ONLY!

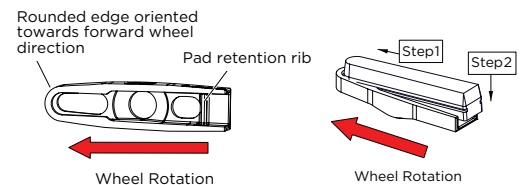
PADS MUST FIT SNUGLY. DO NOT USE PADS THAT FIT LOOSE AS THEY MAY FALL OUT WHILE RIDING AND RESULT IN LOSS OF BRAKING. The ebrake uses a patented tool-less design that features a raised boss to retain the pad in the shoe.

Install the pad by sliding the pad from the rear of the shoe to front of the shoe with the pad heel raised above the shoe bottom to clear the raised boss.

Once the pad is slid all the way to the front of the shoe, press the pad firmly, seating it completely in bottom of the shoe.

The open section of the shoe must face towards the rear of the bike. If installed incorrectly, pads will dislodge from the shoe!

Pad removal - Lift / pry the “heel” of the pad out of the shoe until it clears the raised boss. Then slide the pad out toward the rear of the shoe until the pad is free.



WHEN INSTALLATION OR ADJUSTMENT IS COMPLETE: CHECK THE BRAKES BY SQUEEZING THE BRAKE LEVER 10 TIMES VERY FIRMLY. RECHECK THE PAD CLEARANCE AND THE FASTENERS FOR TIGHTNESS. IMPROPER INSTALLATION CAN RESULT IN SERIOUS INJURY OR DEATH